



Novo conjunto de ferramentas para instalação mais rápida e mais fácil

- Botão de inscrição especial em cada dispositivo simplifica os procedimentos de inscrição e conexão dos dispositivos.
- Todos os dispositivos são configurados no painel – sem a necessidade de switches de hardware e nenhuma necessidade de reabrir os periféricos uma vez fechados.
- Modelos de configuração personalizada permitem a configuração dos dispositivos coletivamente.
- Indicação de qualidade do sinal visível exibida no dispositivo – permite que o instalador escolha o local ideal sem ter de se deslocar até o painel durante a instalação.
- Ferramenta avançada de diagnóstico indica qualidade de conexão do RF, com base em estatísticas das últimas 24 horas e medições bidirecionais sob demanda, exibindo problemas imediatos e permitindo a verificação da instalação durante a configuração.

Ferramentas avançadas para estações de monitoramento centrais

- Inscrição remota, configuração e revisão de todos os periféricos do sistema.
- Inicia testes de caminhada dos dispositivos remotos sem a necessidade de assistência presencial.
- Diagnóstico remoto de conexão sem fio e da qualidade da conexão de RF para todos os periféricos – baseia-se nas estatísticas das últimas 24 horas e em medições bidirecionais sob demanda.

Sistema de economia de energia ecologicamente correto

- Comunicação de espectro de propagação bidirecional, sincronizada, elimina retransmissões desnecessárias.
- Ciclo de vida útil da bateria padrão de 5-8 anos para todos os periféricos.
- Consumo mínimo de energia e poluição devido a potência de transmissão adaptativa que é determinada de acordo com a distância entre o painel e o nível de interferência de RF.

Especificações

Rede RF	PowerG - canal múltiplo de saltos de frequência (CDMA)
Faixas de frequência (MHz)	433 - 434 868 - 869 912 - 919
Saltos de frequência	8 4 50
Criptografia	AES-128
Número de zonas	30
Códigos de usuário	8
Bateria de reserva	Backup de 12 horas – 4,8 V, 1300mAh, NiMH Backup de 24 horas – 4,8 V, 2200 mAh, NiMH
Dimensões	196 x 180 x 55 mm
Peso	558 g
Fonte de alimentação	Interna ou externa, de acordo com as regulamentações locais
Formatos de relato	Analógico: SIA, Contact ID, Scancom; IP: SIA IP, Visonic PowerNet
Comunicação	PSTN, GSM, GPRS

www.visonic.com

Para mais informações, entre em contato com a Visonic:
Email: info@visonic.com



D-306133



English

MP-802 K9-85 PG2

Wireless Digital Pet Immune PIR Detector



Installation Instructions

1. INTRODUCTION

The MP-802 K9-85 PG2 (pet immune) is a microprocessor-controlled wireless digital PIR detector supported by the PowerMaster alarm system using PowerG two-way communication protocol.

The detector's features are as follows:

- Fresnel and cylindrical lenses with uniform detection sensitivity throughout its operating range, up to 12 meters (39 ft).
- Target Specific Imaging™ (TSI) technology is used for distinction between humans and pets weighing up to 38 kg (85lb).
- The advanced True Motion Recognition™ algorithm (patented) allows distinguishing between the true motion of an intruder and any other disturbances which may cause false alarms.
- No vertical adjustment is needed.
- Motion event counter determines whether 1 (high sensitivity) or 2 (low sensitivity) consecutive motion events trigger an alarm.
- Very low current consumption.
- Microprocessor-controlled temperature compensation.
- Front and back tamper protection.
- The device supports temperature and light level reports according to the PowerG panel.

For UL installations: The detector is for use with UL listed control unit only. Pet immunity has not been evaluated by UL.

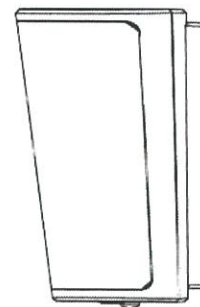


Figure 1: MP-802 K9-85 PG2

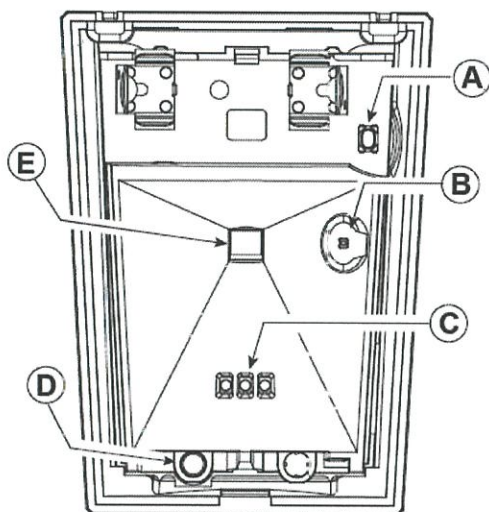


Figure 2 - Internal View

- A. Enroll button
- B. Light sensor
- C. LEDs
- D. Tamper switch
- E. PIR sensor



2. INSTALLATION

2.1. General Guidance

1. Keep away from heat sources.
2. Do not expose to air drafts.
3. Do not install outdoors.
4. Avoid direct sunshine.
5. Do not install near high-voltage electrical line.
6. Do not install behind partitions.
7. Mount on solid stable surface.

Warning! Do not obscure partially or completely the detector's field of view.

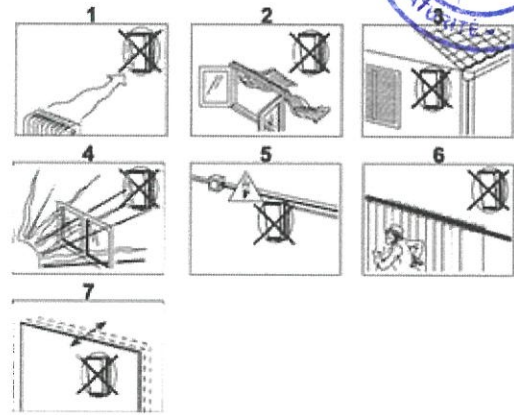


Figure 3 - General Guidelines

2.2. Installation Procedure

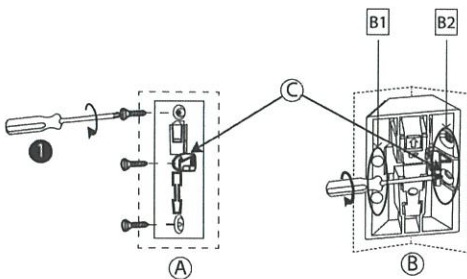


Figure 4 - Bracket Mounting

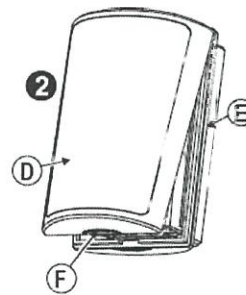


Figure 5 - Opening the Unit

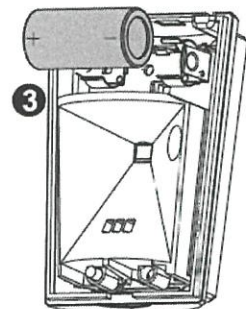


Figure 6a - Battery Insertion

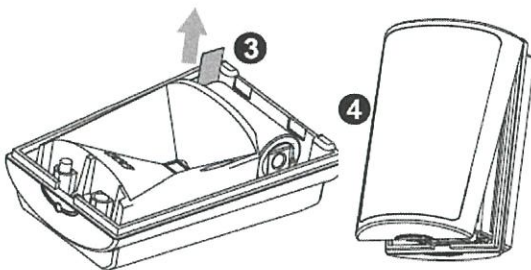


Figure 6b - Battery Activation

Figure 7 - Closing the Cover



Figure 8 - Securing with Screw

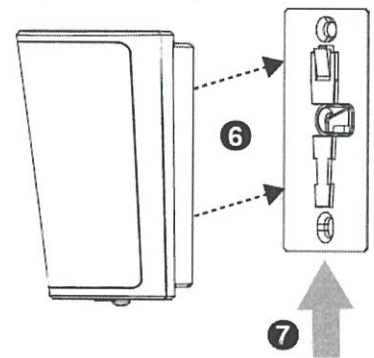


Figure 9 - Mounting Detector on Bracket

1. Mount the bracket on the wall.
2. Press in the point marked "F" in the drawing and separate the cover from the base.
3. Insert the battery while observing polarity-OR- If battery is already installed, pull the activation strip that protrudes from the front of the detector.
4. Return the cover to the base until a click is heard (the snap is closed).
5. Secure detector with screw.
6. Align the detector with the bracket.
7. Slide the detector upward until a click is heard.

- A. Surface mounting
- B. Corner mounting, use B1 or B2
- C. For back tamper
- D. Cover
- E. Base
- F. Press in this point

Note: The detector transmits a low battery signal upon detection of low voltage. It is recommended to wait about 1 minute after battery removal, before inserting the new battery.

MP-802 K9-85 shall be installed in accordance with the Standard for Installation and Classification of Burglar and Holdup Alarm Systems, UL 681.

Caution! Risk of explosion if battery is replaced by an incorrect type. Dispose of used battery according to the manufacturer's instructions.

2.3. Removing the Pet Mask

Remove the plastic (pet mask) if you do not require pet immunity.

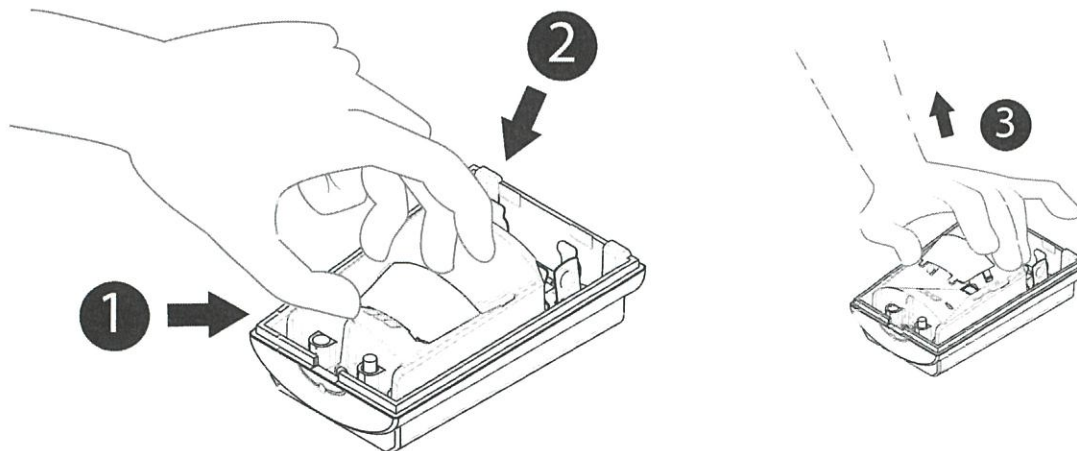


Figure 10 - Removing the Pet Mask

1. Place your thumb at the base of the Pet Mask.
2. Place your fingers at the top of the Pet Mask.
3. Lift the Pet Mask to remove.

2.4. Disassembly from Bracket



Figure 11 - Disassembly from Bracket

1. Release screw.
2. Separate the cover from the base.
3. Remove battery.
4. Press on the stopper snap to release the base from the bracket.
5. Slide the base downward to remove.

2.5. Enrollment

Refer to the PowerMaster panel's Installer Guide and follow the procedure under the "02:ZONES/DEVICES" option of the Installer Menu. A general description of the procedure is provided in the following flow chart.

For UL/UCL listed installations use only in conjunction with UL/UCL listed control panels: PowerMaster-10 and PowerMaster-30 G2.

Step	Procedure	Menu
1	Enter the installer menu and select "02:ZONES/DEVICES"	02:ZONES/DEVICES ADD NEW DEVICES
2	Select "ADD NEW DEVICES" Option – See Note [1]	↓ MODIFY DEVICES
3	Select "ADD NEW DEVICES" Option – See Note [1] Enroll the device or enter the device ID	ENROLL NOW or ENTR ID:XXX-XXXX

000187



4	Select the desired Zone Number	Z14: Motion Sens (with panels PowerGV19.2 and lower) ID No. 120-XXXX (with panels PowerGV19.2 and lower) Z14: S.Motion (with panels PowerGV19.3 and higher) ID No. 126-XXXX (with panels PowerGV19.3 and higher) Z14: LOCATION
5	Configure Location, Zone Type & Chime Parameters	Z14: ZONE TYPE Z14: SET CHIME Z14: DEV SETTINGS
6	Configure the detector	See Note 2

Notes:

- [1] If the detector is already enrolled, you can configure the detector parameters via the modify devices option – see step 2.
- [2] Select the “Device Settings” option and refer to section 3 to configure the detector parameters.

3. Temperature Display

For instructions on displaying the temperature of zones on the control panel as measured by MP-802 PG2 detectors, refer to the PowerMaster Installer Guide, section 4.2 “Conducting a Periodic Test”.

4. Configuring the Detector Parameters

Enter the **DEVICE SETTINGS** menu and follow the configuration instructions for the MCP-802 K9-85 PG2 detector as described in the following table.

Option	Configuring Instructions
Alarm LED	Define whether or not the alarm LED indication will be activated. Optional settings: LED ON (default) and LED OFF.
Event Counter	Define whether an alarm will be activated upon continued motion (low sensitivity) or upon a single alarm event (high sensitivity). Optional settings: LOW sensitive (default) and HIGH sensitive.
DISARM Activity	Define whether or not to set the activity time during disarm. Optional settings: NOT Active (default), YES – no delay, YES + 5s delay, YES + 15s delay, YES + 30s delay, YES + 1m delay, YES + 2m delay, YES – 5m delay, YES + 10m delay, YES + 20m delay and YES + 60m delay.
VERY HOT > 35°C [>95°F]	Define whether or not the control panel will report a "very hot" alert when the temperature rises above 35°C (95°F) for at least 10 minutes. Alert restore will occur when the temperature drops below 34°C (93°F) for the duration of 10 minutes. Optional settings: Disable (default) or Enable
COLD < 19°C [<66°F]*	Define whether or not the control panel will report a "cold" alert when the temperature drops below 19°C (66°F) for at least 10 minutes. Alert restore will occur when the temperature rises above 20°C (68°F) for the duration of 10 minutes. Optional settings: Disable (default) or Enable
FREEZING < 7°C [<45°F]*	Define whether or not the control panel will report a "freezing" alert when the temperature drops below 7°C (45°F) for at least 10 minutes. Alert restore will occur when the temperature rises above 8°C (48°F) for the duration of 10 minutes. Optional settings: Disable (default) or Enable
FREEZER > -10°C [<14°F]*	Define whether or not the control panel will report a "freezer" alert when the temperature rises above -10°C (14°F) for at least 30 minutes. Alert restore will occur when the temperature drops below -11°C (12°F) for the duration of 10 minutes. Optional settings: Disable (default) or Enable

Note: The temperature must pass beyond the threshold for the required duration in order to generate an alarm or restore transmission.

Note: The user can give access to installer to remotely enable or disable the indication: led.

5. LOCAL DIAGNOSTICS TEST

Note: Run a diagnostic test at least once a year to ensure that the detector is working correctly.

1. Separate the base from the cover (see Figure 5).
2. Replace the cover to return the tamper switch to its normal (undisturbed) position, and then secure the front cover to the base with the case closure screw.
3. The MP-802 K9-85 PG2 detector will enter a 2 min. stability period. During this time the red LED blinks.

4. Walk-test the coverage area – see Figure 12. Walk across the far end of the coverage pattern in both directions. The red LED lights each time your motion is detected followed by 3 LED blinks.



The following table outlines received signal strength indication:

LED response	Reception
Green LED blinks	Strong
Orange LED blinks	Good
Red LED blinks	Poor
No blinks	No communication

Important! Instruct the user to walk test at least once a week to verify proper function of the detector.

Important! Reliable reception must be assured. Therefore, **poor** signal strength is **not acceptable**. If you receive a **poor** signal from the device, re-locate it and re-test until a **good** or **strong** signal strength is received (in regions requiring UL-compliant installation, only **strong** signal strength is permitted).

Notes:

[1] For detailed diagnostics test instructions, refer to the control panel Installer Guide.

**This menu appears in PowerMaster V19.3 or above only. In earlier versions, this menu will appear only after completing the following procedure:

- Upgrade the PowerMaster control panel to V19.3 or above.
- Delete the MP-802 K9-85 PG2 detector from the PowerMaster control panel.
- Enroll the detector to the PowerMaster control panel again.

6. COMPLIANCE WITH STANDARDS



The MP-802 K9-85 PG2 complies with the following standards:

Europe: EN 300220, EN 301489, EN 60950-1, EN 50130-4, EN 50131-1, EN 50131-2-2 Grade 2 Class I, EN 50130-5, EN 50131-6 Type C

UK: The MP-802 K9-85 PG2 is suitable for use in systems installed to conform to PD6652:2010 at Grade 2 and environmental CLASS II, DD243 and BS8243.

The Power G peripheral devices have two-way communication functionality, providing additional benefits as described in the technical brochure. This functionality has not been tested to comply with the respective technical requirements and should therefore be considered outside the scope of the product's certification.



Certified by Aplica Test & Certification AS in accordance with EN 50131-2-2, EN 50131-5-3, EN 50131-6, EN 50130-4, EN 50130-5 Aplica T&C has certified only the 868 MHz variant of this product.

This device is in compliance with Directive 2014/53/EU. The full text of the DoC is available at <http://www.visonic.com/download-center>.

USA: FCC-CFR 47 Part 15, UL- UL 639



Canada: IC-RSS 247, ULC – S306

Note: Only devices operating at 912-919 MHz are tested and listed by UL/ULC.

This device complies with Part 15 of the FCC Rules and with ISED license-exempt RSS standard(s). Operation is subject to the following two conditions: (1) This device may not cause harmful interference, and (2) this device must accept any interference received, including interference that may cause undesired operation.

Le présent appareil est conforme aux CNR d'ISED applicables aux appareils radio exempts de licence. L'exploitation est autorisée aux deux conditions suivantes : (1) l'appareil ne doit pas produire de brouillage, et (2) l'utilisateur de l'appareil doit accepter tout brouillage radioélectrique subi, même si le brouillage est susceptible d'en compromettre le fonctionnement.

WARNING! Changes or modifications to this unit not expressly approved by the party responsible for compliance could void the user's authority to operate the equipment.

To comply with FCC and IC RF exposure compliance requirements, the device should be located at a distance of at least 20 cm from all persons during normal operation. The antennas used for this product must not be co-located or operated in conjunction with any other antenna or transmitter.

Le dispositif doit être placé à une distance d'au moins 20 cm à partir de toutes les personnes au cours de son fonctionnement normal. Les antennes utilisées pour ce produit ne doivent pas être situées ou exploitées conjointement avec une autre antenne ou transmetteur.

Note: This equipment has been tested and found to comply with the limits for a Class B digital device, pursuant to part 15 of the FCC Rules. These limits are designed to provide reasonable protection against harmful interference in a residential installation. This equipment generates, uses and can radiate

radio frequency energy and, if not installed and used in accordance with the instructions, may cause harmful interference to radio communications. However, there is no guarantee that interference will not occur in a particular installation. If this equipment does cause harmful interference to radio or television reception, which can be determined by turning the equipment off and on, the user is encouraged to try to correct the interference by one or more of the following measures:



- Reorient or relocate the receiving antenna.
- Increase the separation between the equipment and receiver.
- Connect the equipment into an outlet on a circuit different from that to which the receiver is connected.
- Consult the dealer or an experienced radio/TV technician for help.

Cet équipement a été testé et jugé conforme aux limites s'appliquant à un appareil numérique de classe B, conformément à la Partie 15 des réglementations de la FCC. Ces limites ont été élaborées pour offrir une protection raisonnable contre les interférences nuisibles dans une installation résidentielle.

Cet équipement génère, utilise et peut émettre de l'énergie de fréquence radio et, s'il n'est pas installé et utilisé conformément aux instructions du fabricant, peut provoquer des interférences dangereuses pour les communications radio. Toutefois, rien ne garantit l'absence d'interférences dans une installation particulière. Si cet équipement provoque des interférences nuisibles au niveau de la réception radio ou télévision, ce qui peut être déterminé par la mise hors, puis sous tension de l'équipement, vous êtes invité à essayer de corriger les interférences en prenant les mesures suivantes:

- Réorientez ou déplacez l'antenne réceptrice.
- Augmentez la distance qui sépare l'équipement et le récepteur.
- Branchez l'équipement à une prise d'un circuit différent de celui auquel est branché le récepteur.
- Consultez le revendeur ou un technicien radio/télévision expérimenté pour obtenir de l'aide.

7. Special Comments

Even the most sophisticated detectors can sometimes be defeated or may fail to warn due to: DC power failure / improper connection, malicious masking of the lens, tampering with the optical system, decreased sensitivity in ambient temperatures close to that of the human body and unexpected failure of a component part.

The above list includes the most common reasons for failure to detect intrusion, but is by no means comprehensive. It is therefore recommended that the detector and the entire alarm system be checked weekly, to ensure proper performance.

An alarm system should not be regarded as a substitute for insurance. Home and property owners or renters should be prudent enough to continue insuring their lives and property, even though they are protected by an alarm system.



W.E.E.E. Product Recycling Declaration

For information regarding the recycling of this product you must contact the company from which you originally purchased it. If you are discarding this product and not returning it for repair then you must ensure that it is returned as identified by your supplier. This product is not to be thrown away with everyday waste.

Directive 2002/96/EC Waste Electrical and Electronic Equipment.



8. SPECIFICATIONS

GENERAL

Detector Type Dual element low-noise pyroelectric sensor

OPTICAL

Lens Data

Fresnel and cylinder type lens with optical attenuation (PET mask) in the lower pattern part of the lens.

Number of beams/curtains: 27 Fresnel far (54 sensitivity "beams"), 18 Cylinder mid, 10 Cylinder close.

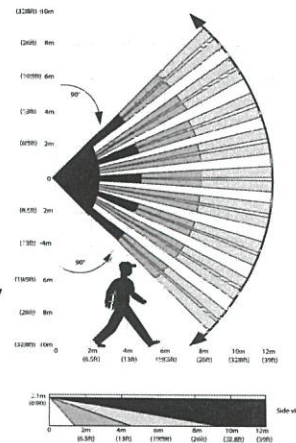


Figure 12 – Coverage Pattern Walk Test

Max. coverage 12 x 12 m (39 x 39 ft) / 90°

Pet Immunity Up to 38 kg (85 lb)

ELECTRICAL

Power Supply Type C.

Internal Battery 3V Lithium battery, type CR-123A. For UL installations, use Panasonic and GP only

Nominal Battery Capacity 1450 mAh

Battery Life (typical use) Minimum 1 year. For typical use, 6 to 8 years (not verified by UL).

Low Battery Threshold 2.4 V

Note: Inability to connect with wireless network, or wireless link quality no higher than 20% may significantly reduce the expected battery life

Performed immediately upon battery insertion and periodically after every several hours.

Battery Power Test

The power supply is type C in accordance with EN 50131-5 Documentation— Clause 6.

Current Consumption 10µA average quiescent, maximum 40mA (during transmission)

FUNCTIONALITY

True Motion Event Verification 2 remote selections at panel— LOW, HIGH

Alarm Period 2 seconds

LED Switch LEC Enable (red LED lights for 2 sec. upon alarm detection)

WIRELESS

Frequency

Europe and rest of world: 433-434 MHz, 868-869 MHz USA: 912-919 MHz

Note: Only devices in frequency band 915 MHz are UL/ULC listed

Max Tx Power <10 dBm (433-434), <14dBm (868-869)

Communication Protocol PowerG

Supervision Signaling at 4-min. intervals

Tamper Alert Reported when a tamper event occurs and in any subsequent message, until the tamper switch is restored

MOUNTING

Height

1.8-2.4 m (6 - 8 ft.). For pet rejection, the optimal height is 2.1 m (7 ft.)

At 2.4m (7.87 ft.) height installation, remove pet mask as pet immunity is not supported.

Installation Options Surface or corner

ENVIRONMENTAL

RF Immunity 20 V/m up to 1000 MHz, 10 V/m up to 2700 MHz

Operating Temperatures -10°C to 50°C (14°F to 122°F). Note: UL verified operation range 0°C to 49°C only.



Storage Temperatures -20°C to 60°C (-4°F to 140°F)
Average relative humidity of up to approximately 75% non-condensing. For 30 days per year the relative humidity may vary between 85% and 95% non-condensing.
For UL installations: 5% to 93% with no condensation

Humidity
For indoor use only.

PHYSICAL
Size (H x W x D) 83x61 x 42 mm (3.27 x 2.4 x 1.66")
Weight (with battery) 90 g (3.17 oz)
Color White

PATENTS U.S. Patents 5,693,943 • 6,211,522



WARRANTY

Visonic Limited (the "Manufacturer") warrants this product only (the "Product") to the original purchaser only (the "Purchaser") against defective workmanship and materials under normal use of the Product for a period of twelve (12) months from the date of shipment by the Manufacturer.

This Warranty is absolutely conditional upon the Product having been properly installed, maintained and operated under conditions of normal use in accordance with the Manufacturer's recommended installation and operation instructions. Products which have become defective for any other reason, according to the Manufacturer's discretion, such as improper installation, failure to follow recommended installation and operational instructions, neglect, willful damage, misuse or vandalism, accidental damage, alteration or tampering, or repair by anyone other than the manufacturer, are not covered by this Warranty.

The Manufacturer does not represent that this Product may not be compromised and/or circumvented or that the Product will prevent any death and/or personal injury and/or damage to property resulting from burglary, robbery, fire or otherwise, or that the Product will in all cases provide adequate warning or protection. The Product, properly installed and maintained, only reduces the risk of such events without warning and it is not a guarantee or insurance that such events will not occur.

THIS WARRANTY IS EXCLUSIVE AND EXPRESSLY IN LIEU OF ALL OTHER WARRANTIES, OBLIGATIONS OR LIABILITIES, WHETHER WRITTEN, ORAL, EXPRESS OR IMPLIED, INCLUDING ANY WARRANTY OF MERCHANTABILITY OR FITNESS FOR A PARTICULAR PURPOSE, OR OTHERWISE. IN NO CASE SHALL THE MANUFACTURER BE LIABLE TO ANYONE FOR ANY CONSEQUENTIAL OR INCIDENTAL DAMAGES FOR BREACH OF THIS WARRANTY OR ANY OTHER WARRANTIES WHATSOEVER, AS AFORESAID. THE MANUFACTURER SHALL IN NO EVENT BE LIABLE FOR ANY SPECIAL, INDIRECT, INCIDENTAL, CONSEQUENTIAL OR PUNITIVE DAMAGES OR FOR LOSS, DAMAGE, OR EXPENSE, INCLUDING LOSS OF USE, PROFITS, REVENUE, OR GOODWILL, DIRECTLY OR INDIRECTLY ARISING FROM PURCHASER'S USE OR INABILITY TO USE THE PRODUCT, OR FOR LOSS OR DESTRUCTION OF OTHER PROPERTY OR FROM ANY OTHER CAUSE, EVEN IF MANUFACTURER HAS BEEN ADVISED OF THE POSSIBILITY OF SUCH DAMAGE. THE MANUFACTURER SHALL HAVE NO LIABILITY FOR ANY DEATH, PERSONAL AND/OR BODILY INJURY AND/OR DAMAGE TO PROPERTY OR OTHER LOSS WHETHER DIRECT, INDIRECT, INCIDENTAL, CONSEQUENTIAL OR OTHERWISE, BASED ON A CLAIM THAT THE PRODUCT FAILED TO FUNCTION.

However, if the Manufacturer is held liable, whether directly or indirectly, for any loss or damage arising under this limited warranty, **THE MANUFACTURER'S MAXIMUM LIABILITY (IF ANY) SHALL NOT IN ANY CASE EXCEED THE PURCHASE PRICE OF THE PRODUCT,** which shall be fixed as liquidated damages and not as a penalty, and shall be the complete and exclusive remedy against the Manufacturer.

When accepting the delivery of the Product, the Purchaser agrees to the said conditions of sale and warranty and he recognizes having been informed of:

Some jurisdictions do not allow the exclusion or limitation of incidental or consequential damages, so these limitations may not apply under certain circumstances.

The Manufacturer shall be under no liability whatsoever arising out of the completion and/or malfunctioning of any telecommunication or electronic equipment to any programs.

The Manufacturer's obligations under this Warranty are limited solely to repair and/or replace at the Manufacturer's discretion any Product or part thereof that may prove defective. Any repair and/or replacement shall not extend the original Warranty period. The Manufacturer shall not be responsible for dismantling and/or reinstallation costs. To exercise this Warranty the Product must be returned to the Manufacturer freight pre-paid and insured. All freight and insurance costs are the responsibility of the Purchaser and are not included in this Warranty.

This warranty shall not be modified, varied or extended, and the Manufacturer does not authorize any person to act on its behalf in the modification, variation or extension of this warranty. This warranty shall apply to the Product only. All products, accessories or attachments of their use in conjunction with the Product, including batteries, shall be covered solely by their own warranty, if any. The Manufacturer shall not be liable for any damage or loss whatsoever, whether directly, indirectly, incidentally, consequentially or otherwise, caused by the malfunction of the Product due to products, accessories, or attachments of theirs, including batteries, used in conjunction with the Products. This Warranty is exclusive to the original Purchaser and is not assignable.

This Warranty is in addition to and does not affect your legal rights. Any provision in this warranty which is contrary to the Law in the state or country where the Product is supplied shall not apply.

Warning: The user must follow the Manufacturer's installation and operational instructions including testing the Product and its whole system at least once a week and to take all necessary precautions for his/her safety and the protection of his/her property.



A Tyco International Company

Email: info@visonic.com

Internet: www.visonic.com

© VISONIC LTD. 2017 MP-802 K9-85 PG2 D-306133 (Rev. 2.05/17)






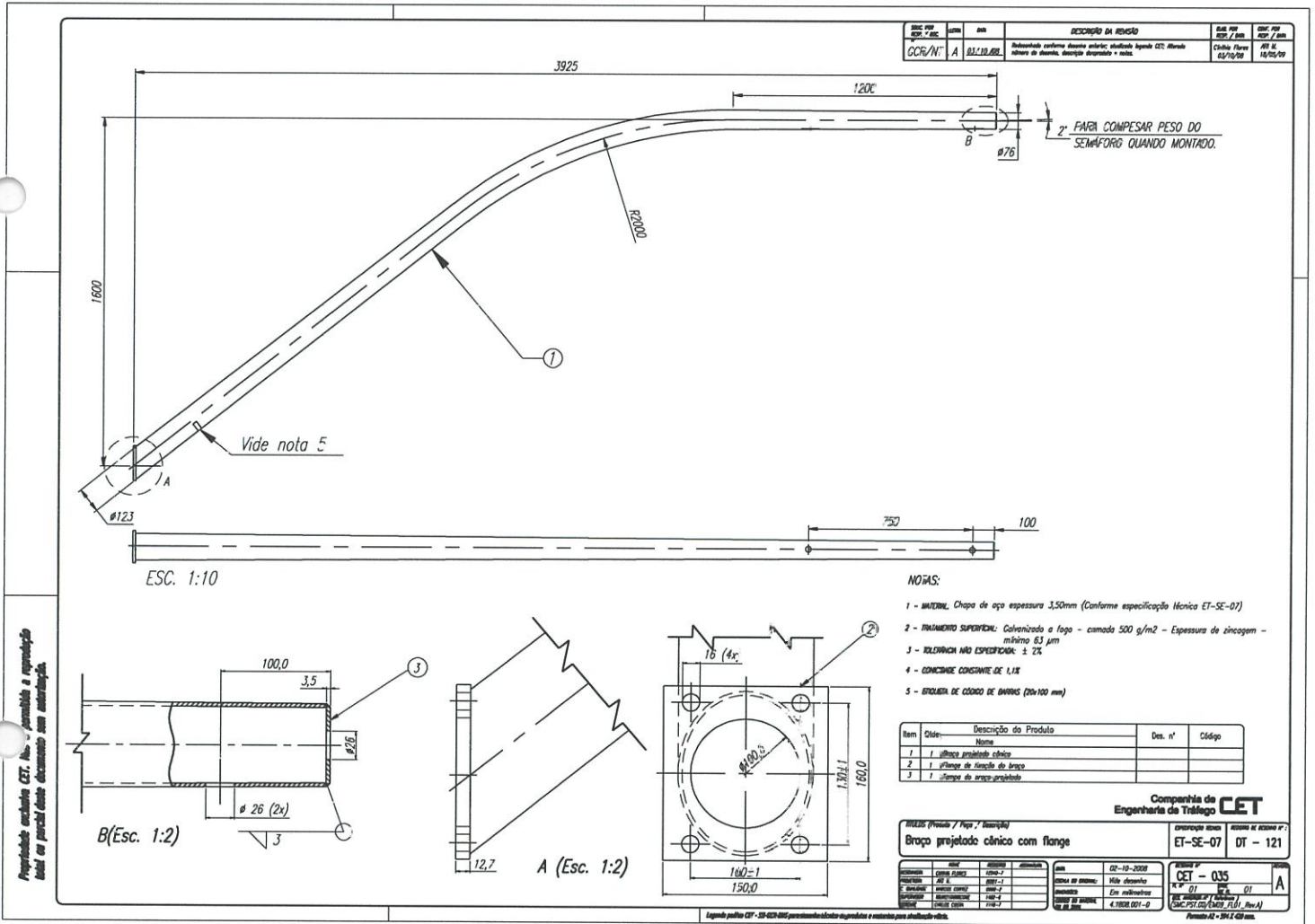


Prefeitura Municipal de
Baturité
Estado do Ceará

Pregão Presencial N° 1209.01/2022

5. VÍDEO MONITORAMENTO

x   

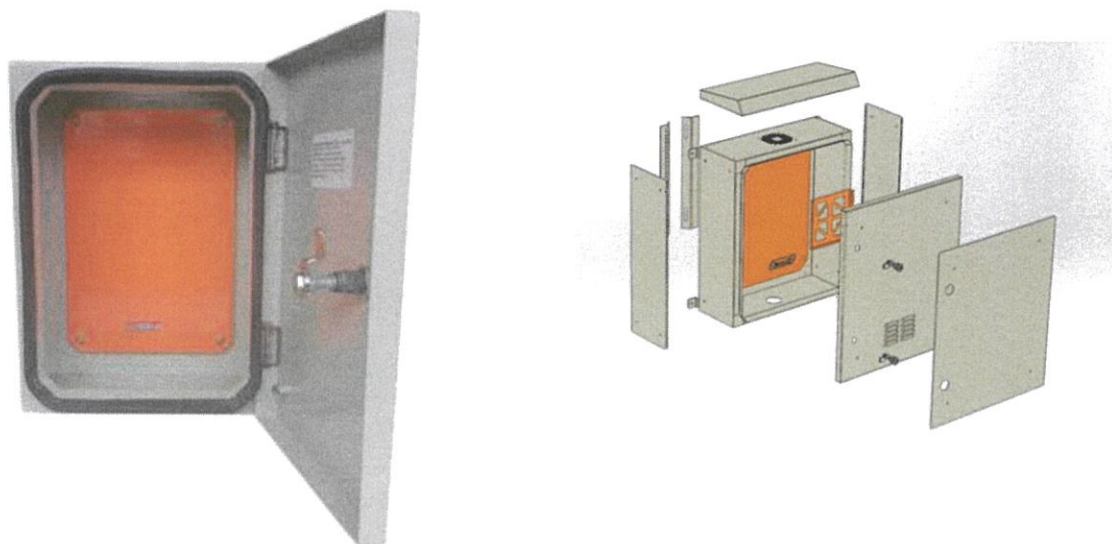


Handwritten signatures and a circular stamp with the number 000194.

Gabinete Outdoor em Aço Galvanizado, Alumínio ou Aço inoxidável IP66



Gabinete Outdoor em Aço Galvanizado, Alumínio ou Aço Inoxidável IP66



Diferenciais do Produto:

Galvanização em todo corpo, porta e acessórios (não usamos chapa pré galvanizada, pois no processo de dobra, solda e acabamento, perde-se o tratamento).

Certificação IP66.

Borrachas de vedação padrão automotivo.

5 anos de garantia contra corrosão no produto fabricado em alumínio.

Características

- Gabinete Monobloco construído em Aço Galvanizado, Alumínio ou Aço inoxidável com grande rigidez mecânica e Certificado IP66.
- Sistema de vedação em EPDM de Alta Qualidade
- Pintura epóxi na cor Ral7032.
- Fecho de segredo único.
- Ponto de aterramento quadro e porta.
- Placa interna de montagem na cor Ral 2004.
- Dobradiças em aço carbono ou aço inoxidável

Handwritten signatures and initials in blue ink.



- Abertura de porta 120°

Acessórios Opcionais

Fechadura com ponto triplo tipo cremona
Protetor de teto para dissipação de chuva e calor
Bandejas para acomodação de equipamentos
Base Soleira
Suporte para poste ou parede
Trilho Din
Perfil Rack 19 polegadas
Porta documentos
Limitador de Porta
Porta com Visor de policarbonato
Protetor Anti Vandalismo
Defletores de Calor
Flange superior ou inferior

Medidas Padrão

300(A)x300(L)x200(P)mm

400(A)x400(L)x200(P)mm

500(A)x400(L)x300(P)mm

600(A)x400(L)x200(P)mm

600(A)x500(L)x300(P)mm

800(A)x600(L)x200(P)mm

Para outras configurações, favor consultar nossos vendedores.



4



DH-SD50230U-HNI

Câmera de rede 2 MP 30x Starlight PTZ



- CMOS STARVIS™ de 1 / 2.8" 2Megapixel
- Zoom óptico 30x poderoso
- Tecnologia Starlight
- Codificação H.265
- Máx. 50 / 60fps a 1080P
- Auto-rastreamento e IVS
- Suporte PoE -
- IP67, IK10



Visão geral do sistema

Apresentando um poderoso zoom óptico e desempenho preciso de pan / tilt / zoom, esta câmera pode fornecer grande alcance de monitoramento e grandes detalhes. A câmera tem um excelente desempenho em baixa luminosidade devido à adoção da mais recente tecnologia de luz das estrelas. A câmera é equipada com controle suave, imagem de alta qualidade e boa proteção, o que a torna capaz de atender à maioria dos requisitos de aplicações de vigilância por vídeo.

Funções

Tecnologia Starlight

Para aplicações desafiadoras de pouca luz, a tecnologia Starlight Ultra-low Light da Dahua oferece a melhor sensibilidade à luz da classe, capturando detalhes de cor com pouca luz até 0,005lux. A câmera usa um conjunto de recursos óticos para equilibrar a luz em toda a cena, resultando em imagens nítidas em ambientes escuros.

Ampla faixa dinâmica

A câmera obtém imagens vívidas, mesmo nas condições de iluminação de contraste mais intenso, usando a tecnologia de ampla faixa dinâmica (WDR) líder de mercado. Para aplicações com condições de iluminação clara e fraca que mudam rapidamente, True WDR (120 dB) otimiza as áreas claras e escuras de uma cena ao mesmo tempo para fornecer vídeo utilizável.

Rastreamento automático

Este recurso controla as ações de panorâmica / inclinação / zoom da câmera para rastrear automaticamente um objeto em movimento e mantê-lo na cena. A ação de rastreamento pode ser acionada manualmente ou automaticamente por regras definidas. Uma vez que uma regra é acionada, a câmera pode ampliar e rastrear o alvo definido automaticamente.

Smart H.265 +

Smart H.265 + é a implementação otimizada do codec H.265 que usa uma estratégia de codificação adaptável à cena, GOP dinâmico, ROI dinâmico, estrutura de referência de múltiplos quadros flexível e redução de ruído inteligente para fornecer vídeo de alta qualidade sem sobrecarregar a rede. A tecnologia Smart H.265 + reduz a taxa de bits e os requisitos de armazenamento em até 70% quando comparada à compactação de vídeo H.265 padrão.

Tecnologia PFA

A tecnologia PFA introduziu de forma inovadora novos métodos de julgamento para garantir a precisão e previsibilidade da direção do ajuste de distância do assunto. O resultado é um conjunto de algoritmos de foco avançados. O PFA garante clareza da imagem em todo o processo de zoom e encurta o tempo de foco. A realização da tecnologia PFA melhora substancialmente a experiência do usuário e aumenta o valor do produto.

Ambiental

As câmeras Dahua operam em ambientes de temperatura extrema, classificados para uso em temperaturas de -40 ° C a +60 ° C (-40 ° F a + 140 ° F) com 95% de umidade. A câmera está em conformidade com a classificação de impacto de Resistência a vandalismo IK10. Sujeito a rigorosos testes de imersão em pó e água e certificado para a classificação de proteção de ingresso IP67, o torna adequado para aplicações extremas exigentes.

Proteção

A câmera permite uma tolerância de tensão de entrada de $\pm 10\%$, adequada para condições instáveis em aplicações externas. Sua classificação de 6KV contra raios oferece proteção eficaz para a câmera e sua estrutura contra raios.

Interoperabilidade

A câmera está em conformidade com as especificações ONVIF (Open Network Video Interface Forum), garantindo a interoperabilidade entre os produtos de vídeo em rede, independentemente do fabricante.



Especificação técnica

Câmera

Sensor de imagem	STARVIS™ CMOS de 1 / 2,8"
Pixels efetivos	1920 (H) x 1080 (V), 2 megapixels
RAM / ROM	512M / 128M
Sistema de digitalização	Progressivo
Velocidade do obturador eletrônico	1 / 1s - 1 / 30.000s
Iluminação mínima	Cor: 0,005Lux@F1.6 ; P / B: 0,005Lux@F1.6
Relação S / N	Mais de 55dB
Distância IR	N / D
Controle IR On / Off	N / D
LED infravermelhos	N / D
Lente	
Comprimento focal	4,5 mm - 135 mm
Máx. Abertura	F1.6 - F4.4
Ângulo de visão	H: 67,8° - 2,4°
Zoom ótico	30x
Controle de foco	Auto / Manual
Fechar distância de foco	100mm - 1000mm

Distância DORI

* Nota: A distância DORI é uma "proximidade geral" de distância que torna fácil localizar a câmera certa para suas necessidades. A distância DORI é calculada com base na especificação do sensor e no resultado do teste de laboratório de acordo com EN 62676-4 que define os critérios para Detectar, Observar, Reconhecer e Identificar, respectivamente.

Detectar	Observar	Reconhecer	Identificar
1862m (6109 pés)	744m (2441 pés)	372m (1220 pés)	186m (610 pés)

PTZ

Faixa de Pan / Tilt	Pan: 0° - 360° infinito; Inclinação: 0° - 90°, rotação automática de 180°
Velocidade de controle manual	Pan: 0,1° - 350° / s; Inclinação: 0,1° - 250° / s
Velocidade Predefinida	Pan: 500° / s; Inclinação: 500° / s
Presets	300
Modo PTZ	5 Padrão, 8 Tour, Auto Pan, Auto Scan
Configuração de velocidade	Adaptação de comprimento / velocidade focal orientada para humanos
Ação de energia	Restauração automática para PTZ anterior e status da lente após falha de energia
Movimento Inativo	Ative Preset / Scan / Tour / Pattern se não houver comando no período especificado
Protocolo	DH-SD

Inteligência

Gatilho de Evento	Detecção de movimento, violação de vídeo, mudança de cena, desconexão de rede, conflito de endereço IP, acesso ilegal, anomalia de armazenamento
-------------------	--

Rastreamento Automático

IVS	
Funções Inteligentes Avançadas	
Vídeo	
Compressão	
Capacidade de streaming	

Resolução

Taxa de quadros	
Controle de taxa de bits	
Taxa de bits	

Dia noite

Compensação de luz de fundo	
Balanco de branco	
Ganhar controle	

Redução de ruído

Detector de movimento	
Região de interesse	

Estabilização de imagem eletrônica (EIS)

Desembaçar

Zoom digital

Virar	
Máscara de privacidade	

Áudio

Compressão

Rede

Ethernet	
Protocolo	
Interoperabilidade	
Método de streaming	
Máx. Acesso do usuário	

Armazenamento de banco

Visualizador de web

Software de Gestão

Smartphone

Apelo, suporte

Tripwire, Intrusão, abandonado / ausente

Detecção de rosto, mapa de calor

H.265 + / H.265 / H.264 + / H.264

3 streams

1080P (1920 x 1080) / 1,3M (1280 x 960) / 720P (1280 x 720) / D1 (704 x 576/704 x 480) / CIF (352 x 288/352 x 240)

Stream principal: 1080P / 1,3M / 720P (1 - 50 / 60fps)

Sub stream1: D1 / CIF (1 - 25/30 fps)

Sub stream2: 1080P / 1,3M / 720P / D1 / CIF (1 - 25 / 30fps)

CBR / VBR

H.265 / H.264: 448K - 8192Kbps

Auto (ICR) / Cor / P / B

BLC / HLC / WDR (120dB)

Automático, ATW, Interno, Externo, Manual

Auto / Manual

Ultra DNR (2D / 3D)

Apelo, suporte

Apelo, suporte

Apelo, suporte

Apelo, suporte

16x

180°

Até 24 áreas

G.711a / G.711Mu / AAC / G.722 / G.726 / G.729 / MPEG2-L2

RJ-45 (10Base-T / 100Base-TX)

IPv4 / IPv6, HTTP, HTTPS, SSL, TCP / IP, UDP, UPnP, ICMP, IGMP, SNMP, RTSP, RTP, SMTP, NTP, DHCP, DNS, PPPOE, DNS, FTP, Filtro IP, QoS, Bonjour, 802.1x

Perfil ONVIF S&G, API

Unicast / Multicast

20 usuários

NAS (Network Attached Storage), PC local para gravação instantânea, cartão Micro SD de 256 GB

IE, Chrome, Firefox, Safari

PSS inteligente, DSS, DMSS

iOS, Android



Pro Series | DH-SD50230U-HNI

Certificações

Certificações: CE: EN55032 / EN55024 / EN50130-4 FCC: Parte 15 subparte B, ANSI C63.4-2014 UL: UL60950-1 + CAN / CSA C22.2, No.60950-1

Interface

Interface de Vídeo: N / D

RS485: N / D

E / S de Áudio: 1 / 1

Alarme: 2 / 1

Elétrico

Fonte de energia: AC24V / 1,5A (± 10%), PoE + (802.3at)

Consumo de energia: 13 W, 23 W (aquecedor ligado)

Ambiental

Condições de funcionamento: - 40 °C ~ 60 °C (-40 °F ~ + 140 °F) / Menos de 95% UR

Proteção de entrada: IP67

Resistência a Vandalismo: IK10

Construção

Invólucro: Metal

Dimensões: Ø186 (mm) x 253 (mm)

Peso líquido: 2,5 kg (5,51 lb)

Peso bruto: 4,5 kg (9,92 lb)

Informações sobre pedidos

Modelo	Número da peça	Descrição
2 MP PTZ Câmera	DH-SD50230U-HNI	Câmera de rede 2 MP 30x Starlight PTZ, WDR, PAL
	DH-SD50230UN-HNI	Câmera de rede 2 MP 30x Starlight PTZ, WDR, NTSC
	SD50230U-HNI	Câmera de rede 2 MP 30x Starlight PTZ, WDR, PAL
	SD50230UN-HNI	Câmera de rede 2 MP 30x Starlight PTZ, WDR, NTSC
Acessórios	PFB300S	Suporte de parede
	PFA110	Adaptador de montagem
	AC24V / 1,5A	Adaptador de energia
	PFA140	Caixa de energia
	PFB300C	Montagem no teto
	PFA120	Caixa de Junção à Prova de Água
	PFA150	Pole Mount
	PFA151	Montagem de Canto
	PFB303S	Suporte para Parapeito

Acessórios

Incluído:



PFB300S
Suporte de parede

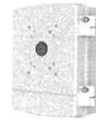


PFA110
Adaptador de montagem



AC24V / 1,5A
Adaptador de energia

Opcional:



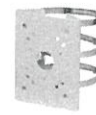
PFA140
Caixa de energia



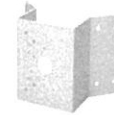
PFB300C
Montagem no teto



PFA120
Caixa de junção



PFA150
Montagem em Poste



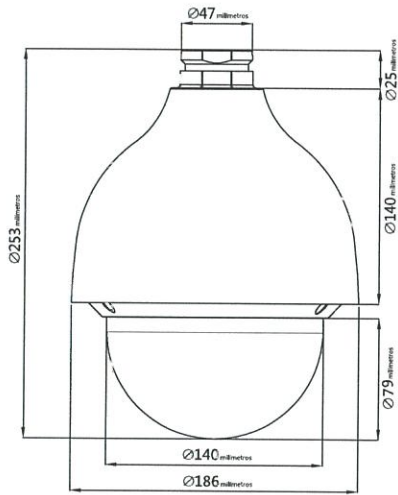
PFA151
Montagem de Canto



PFB303S
Suporte para Parapeito

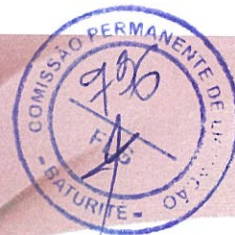
Montagem em Teto	Montagem em Junção
PFA110 + PFB300C	PFA110 + PFB300S + PFA120
Montagem em caixa de fonte	Montagem em Poste
PFA110 + PFB300S + PFA140	PFA110 + PFB300S + PFA150
Montagem em Canto	Montagem em Parapeito
PFA110 + PFB300S + PFA151	PFA110 + PFB303S

Dimensões (mm)





digifort



Catálogo de Funcionalidades

Descrição geral do software de monitoramento e gravação: **VERSÃO 7.3 – 07/2019 Rel. A**

ATENÇÃO: Devido à grande quantidade de informações, nem todas as funcionalidades do sistema encontram-se nesse catálogo. Caso seja necessário consulte nossos manuais e a Digifort. Aqui estão descritas as principais. Catálogo em atualização constante.

1. Software de monitoramento e gravação para circuito fechado de TV baseado em redes TCP/IP com capacidade de controlar e visualizar imagens de câmeras IP ou analógicas conectadas por servidores de vídeo ou codificadores, assim como DVR's, bem como gravar as imagens para posterior pesquisa e recuperação seletiva. O sistema é baseado em criação de áreas de trabalho individualizadas para os usuários, o software possui interface gráfica com janelas customizáveis e amigáveis, baseada em Windows e exibição de tela, funções, cardápio, janelas de auxílio, comunicação server/client P2P de vários fabricantes, todo em português Brasil, assim como todos os seus manuais. Traduzido para mais de 18 idiomas.

Arquitetura do Software:

2. Trabalha com câmeras IP nativas e via ONVIF e câmeras analógicas simultaneamente desde que estejam conectadas à rede TCP/IP diretamente ou através de um Vídeo Server (Servidor de Vídeo TCP/IP) ou DVR. Possui integrado mais de 10000 modelos de câmeras com mais de 450 fabricantes (ver www.digifort.com.br/compatibilities). Arquitetura orientada a objetos (SDK/API).
3. O Sistema é baseado na arquitetura cliente/servidor orientada a objetos que permite que o servidor realize as gravações e gerenciamento das câmeras, usuários, grupos de usuários e os clientes (Não existe limite de clientes para câmeras, mapas, alarmes, automação, operação, etc.) monitore as câmeras. As funções de gravação, administração e monitoramento poderão eventualmente estar no mesmo equipamento PC/servidor. Aceita todas as versões do Windows e Linux virtualizado Operação e administração descentralizada ou centralizada local ou remota do tipo federação das versões e edições do software, através do servidor ou cliente, permitindo gravação de imagens em diversos servidores gerenciando como único sistema. Utiliza protocolos Pelco D e P, suporte a protocolos IPv4 e IPv6. Funciona como um serviço configurado no Windows e pode ser iniciado automaticamente com correções de falhas e de tentativas de acessos indevidos. Plataforma virtualizada.

(Handwritten signatures and initials)



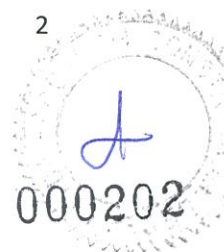


digifort



Catálogo de Funcionalidades

4. Permite operações simultâneas como gravação, reprodução de vídeo, configuração do sistema, monitoramento ao vivo, consulta de eventos, pesquisa de imagens, monitoramento do servidor e diversas outras tarefas, sendo que a execução de uma tarefa não afetará na execução da outra e comunicação bidirecional servidor/cliente.
5. Suporta gravação e monitoramento de imagens em Motion-JPEG, MPEG-4, WAVELET, H.263, H.264, H.265 e MPEG-4 ASP e em qualquer resolução, desde QCIF até Megapixel com ajuste da banda a partir de 16Kbps até acima de 10 Mbps/f para câmeras megapixel, dependente única e exclusivamente do tipo de câmera a ser utilizada, permitindo um gerenciamento eficiente da largura de banda utilizada sem comprometimento com a sobrecarga do sistema e sem interferência dos operadores, desde que as câmeras suportem diversos fluxos de vídeo. De acordo com a banda, o sistema ajusta a quantidade de frames a ser transmitida.
6. Possui sistema de Multi-Streaming, permitindo que a gravação seja realizada em uma determinada configuração de vídeo e o monitoramento seja feito com outra configuração, através de Perfis de Vídeo. (Ex: Gravação em 4CIF com 7FPS e monitoramento em 1CIF com 15FPS) para acesso a qualquer cliente do software.
7. Está preparado para trabalhar com dois ou mais processadores, dividindo as tarefas do software em ambos processadores a fim de aumentar o desempenho do sistema e suporta servidores/estações de 64 bits permitindo gravar mais de 600mbps/servidor.
8. Permite utilizar qualquer resolução de imagem (Mesmo acima de 1280x1024). Importante ressaltar que resolução de imagem aqui informada refere-se à resolução da imagem gerada pela câmera e não resolução de vídeo do computador.
9. Permite capturar câmeras analógicas de DVR's integrados ao sistema e visualizá-las nos mesmos mosaicos utilizados pelas câmeras IP's em conjunto ou separadas.
10. Possui teclado/console, joystick e mouse virtual no Cliente de Monitoramento, facilitando a operação do sistema quando um teclado físico não estiver presente.
11. Possui recurso de Filtro de IP, libera acesso ao servidor apenas aos IPs autorizados.
12. Possibilita a autenticação dos usuários do sistema por biometria, evitando-se, desta maneira, acessos internos e externos indevidos.
13. Permite envio de notificações, eventos de câmeras como: falha de comunicação, ocultação (câmera tampering) foco, desfocada, cega, conectada, desconectada e qualquer outro evento do Digifort, para softwares terceiros através do protocolo SNMP (traps) e possui suporte para recebimento de notificações de softwares de terceiros via API ou integração.





digifort

Catalogo de Funcionalidades



14. Possui compatibilidade com Caracteres Unicode. Compatível com NTCIP via protocolo de comunicação com notificação SNMP para gerenciamento na rede.
15. Trabalha com sistema de licenciamento por câmeras, permitindo a expansão do sistema com licenças adicionais em um número ilimitado de servidores, câmeras, I/Os, storages, encoders, placas de alarmes, clientes e usuários.
16. Possui arquitetura de servidores Mestre e Escravo, permitindo que o sistema compartilhe uma mesma base de dados sincronizada com todos os servidores da rede em real time, facilitando a administração do sistema, quando o mestre cair os escravos assumem as configurações do mestre.
17. Permite que, nas atualizações de upgrades, os clientes de monitoramento sejam atualizados automaticamente quando o servidor for atualizado, sem a necessidade de reinstalação dos clientes, tornando esses, totalmente compatíveis com o servidor. Upgrades gratuitos dentro da versão adquirida, novas features e correção de bugs.
18. Suporta mais de 450 fabricantes de câmeras IP, ONVIF ou PSIA.
19. O software suporta protocolos TCP-IP e UDP (Broadcast, Unicast e Multicast) e outros suportando DNS de servidores locais e remotos (WAN e LAN). Suporta RTSP para transmissão de vídeo ao vivo e gravado em qualquer formato.
20. Implementado um buffer de mídia interno no servidor RTSP para melhorar a transmissão de dados em conexões mais lentas que o bit rate original da câmera.
21. O software permite a distribuição de vídeos através de um sistema de multicast por demanda.
22. Possui SDK/API's HTTP Rest abertas para integração de qualquer sistema de terceiros, tais como: controle de acesso, sistemas de incêndio, sistemas de alarme e automação, Leitura de Containers, LPR, VMS, PSIM, etc.
23. Possui interface gráfica para desenvolvimento de scripts de ação de saída em C++ e macros para definir sequência de comandos através da interface gráfica em ações de eventos.
24. O sistema permite que e-mails enviados por SMTP possam utilizar-se de servidores criptografados com autenticação SSL.
25. Possui matriz que permite criar e salvar diferentes mosaicos personalizados dentro de desktops virtuais endereçáveis e ou automáticos para visualização no cliente de monitoramento, com diversos layouts de câmeras e mapas, permitindo arrastar e soltar câmeras e mapas dentro dos mosaicos. Estes mosaicos são diferentes dos pré-definidos que acompanham os sistemas de CFTV.
26. Possui um gerenciador de serviços automático onde são apresentados os status de cada serviço disponível no sistema.

[Handwritten signatures]

[Handwritten signature]





digifort

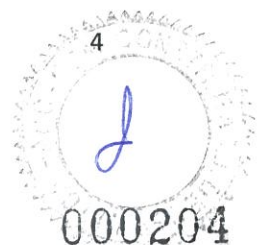
Catálogo de
Funcionalidades



27. Permite o bloqueio e a expiração de contas de usuários importados do Active Directory ou do sistema. Possível bloquear a estação de trabalho. Bloqueia o usuário após X tentativas erradas de acesso, configurável pelo administrador.
28. Possuir a facilidade de bookmark para marcação rápida de eventos com regras.
29. Possibilitar, dentro do bookmark, a escolha de títulos, cores data inicial, data final e observações dos eventos para futuras pesquisas nas imagens.
30. Permitir a pesquisa e reprodução do vídeo, através do bookmark, que são apresentados na linha do tempo e salvar o marcador de bookmark para evitar que o vídeo seja sobrescrito.
31. Permitir a criação automática de bookmark quando houver uma detecção de movimento ou eventos de I/os e de analíticos.
32. Permitir a criação automática de um bookmark com texto único ou não, sempre que um evento ocorrer.
33. Possibilitar a gravação de borda (Edge recording).
34. Ser compatível com protocolos ONVIF e ONVIF Profile S.
35. Senhas de acesso a dispositivos de alarmes e de computadores cliente de monitoramento são armazenadas com criptografia.
36. Suporte a fuso horário.
37. Permite a importação de objetos de outros servidores, possibilitando gerar um novo servidor sem cadastramento.
38. Licenças clientes conectadas são ilimitadas, flutuantes, concorrentes e sem custos (administração e monitoramento, web, smartphones, tablets, I/os câmeras e DVR's, de joystick, mesa operacional, vídeo wall etc.) sem associação a equipamentos.
39. Pode ser configurado como Servidor de banco de dados, de administração e operação e permite cópia da configuração do banco nas estações para redundância.
40. Suporte a QuickSync através da placa de vídeo de processadores Intel.

Gravação:

41. Permite a utilização de qualquer tecnologia de gravação em discos, entre elas NAS, DAS, SAN, ATA, SATA, SCSI, ISCSI, etc. e suporta armazenamento em cartões de memória da própria câmera cuja gravação é feita pelo próprio hardware.
42. Suporta velocidade de gravação e visualização ao vivo de 60 FPS ou mais por câmera dependente única e exclusivamente do hardware.





digifort



Catálogo de Funcionalidades

43. Suporta gravação de N câmeras por servidor, sendo que o limite máximo de câmeras deve ser de acordo com a capacidade de disco e de processamento do servidor. O Software não tem limite de câmeras por Servidor.
44. Suporta gravação por detecção de movimento e Eventos (Sendo estes, Eventos Manuais ou Alarmes Externos I/Os e analíticos). O sensor de movimento para gravação permite que sejam selecionadas ilimitadas áreas sensíveis ou não, ao movimento com devidas programações através de scripts internos para intrusão.
45. Permite gravação de Banco de Dados redundante contra falhas, permitindo que o segundo Servidor assuma os controles no caso de queda do primeiro, sem intervenção humana e retornando a forma de stand-by quando o servidor principal voltar a operação normal e automática. (Failover 1+1, N+1).
46. Permite a configuração de Failover 1 para 1, 1 para N e N para N.
47. Permite carregar automaticamente no servidor de Failover, todos os objetos do servidor que está em falha.
48. Permite a configuração de Failback, onde quando o servidor principal retornar suas operações, automaticamente as operações do sistema voltam a ser processadas pelo servidor principal sem intervenção humana.
49. Suporta agendamento de gravação por hora e dia da semana, sendo que o agendamento permite a que o administrador especifique para cada faixa de hora o modo de gravação das imagens (Sempre Gravar, Por Movimento, Por Evento, Por Movimento e Evento, alarme) de cada câmera.
50. Possui recurso para aumentar a taxa de quadros da gravação se reconhecer movimento nas imagens, qualidade, banda (Ex: Gravação padrão em 4FPS, se reconhecer movimento, gravar em 15FPS e quando parar o movimento, voltar a gravação para 4FPS).
51. Possui sistema de certificado digital que cria uma assinatura digital para cada foto gravada em 320 bits intrínseco ao sistema, garantindo a autenticidade da imagem.
52. Possui sistema de gravação que não tenha limite de gravação diário, suporta mais de 600 mil imagens por dia, por câmera sem a necessidade de mover as gravações para outro disco ou outra pasta de gravação, gravações contínuas, por movimento, circulares ou cíclicas e por agendamento, reciclagem automática disco cheio.
53. Possui em seus diversos módulos bancos de dados SQL e Firebird, trabalha e suporta diversos outros bancos de dados do mercado tais como MS-Access, Oracle, MySql, PostgreSQL, etc., permitindo integração com qualquer banco de dados existente.
54. Grava segundo streaming, reduzindo resolução e FPS para possibilitar longos Armazenamentos de vídeo.





digifort



Catálogo de Funcionalidades

55. Permite a visualização simultânea das gravações de mais de uma câmera, através de mosaicos, permitindo assim a reprodução de várias câmeras ao mesmo tempo, durante um mesmo período de tempo, facilitando a consulta e análise das imagens gravadas. Em pesquisa por movimento permite inclusão e exclusão das áreas.
56. Possui controle de buffer para pré e pós-alarmede até 30 segundos.
57. Permite capturar tela, teclado e mouse de qualquer computador Windows existente na rede e gravar suas telas no mesmo storage de CFTV para posterior pesquisa, permite qualquer operação do computador capturado.
58. Permite a gravação das telas de computadores em MJPEG, Mpeg4, Mpeg4 ASP ou H.264. Permite gravação imagens geradas por lentes panorâmicas 360 graus, dewarping, visualização em quad, áreas e PTZ virtuais ao vivo e gravadas.
59. Permite escolher gravação de frames por segundo das telas dos computadores.
60. Permite zoom digital e PTZ virtual sobre as imagens capturadas ao vivo e gravadas, dos computadores da rede, câmera virtual reprodução.
61. Permite operação remota dos computadores capturados na rede e de páginas HTML.
62. Gravação de vários streamings baixa e alta resolução com gerenciamento, desde que haja licenças.
63. Possui sistema de arquivamento de imagens e áudio com o seguinte funcionamento:
 64. O Sistema fará, todos os dias a Meia Noite, cópias de todas as gravações do (s) dia (s) anterior (es) em um esquema de pastas no formato X:\ANOMESDIA\Camera (Ex: d:\20050410\Cam1, d:\20050410\Cam2) gerenciamento / backup automático. Seguindo este formato, todas as gravações de todas as câmeras do dia, devem estar na pasta raiz do dia, que poderá ser arquivada em fita ou em qualquer outra mídia, através de um software qualquer de backup free ou não, existente no mercado, podendo ser programado para dia, hora ou mês desejado. O Sistema não apagará as gravações da mídia rápida (oficial) após realizar a sua cópia para a pasta temporária de armazenamento. Formato áudio em PCM, G7*1, G726 e ACC.
65. Possui sistema avançado para gerenciamento de disco, onde o sistema aloca automaticamente a quantidade disponível em disco necessário para a gravação da câmera, baseando-se em uma especificação de número de dias ou horas que o usuário deseja manter as gravações. O sistema de gerenciamento de disco também oferece um sistema de cotas de disco, sendo que o administrador poderá limitar uma quantidade de disco que deseja utilizar, compartilhando essa cota com todas as câmeras, reescrita automática permitindo apagar os vídeos

A

AB

J

JOB





digifort



Catálogo de Funcionalidades

- mais antigos e agregar os novos (FIFO) com configuração de dias mínimos cu máximos para gravação.
66. Permite que o usuário possa configurar um diretório para o backup das configurações do sistema e a quantidade de dias que deseja manter esses arquivos, as imagens mais antigas serão apagadas. O sistema cria pontos de restauração diariamente, permitindo reparos ou reconstrução do banco. Esse backup pode ser automático ou manual com restauração no ponto desejado. Dias mínimos e máximos por câmera.
 67. Permite a gravação automática de imagens em SD-Card quando uma falha na rede ocorrer.
 68. Permite gravação manual com evento global selecionando o tempo desejado. Com evento global é possível chamadas externas de aplicativos para execução no Digifort.
 69. Permite que imagens gravadas em SD-Card, possam ser baixadas e sincronizadas automaticamente na ocorrência de qualquer evento programado ou não e com opção de resoluções diferenciadas, podendo ser via rede ou wfi.
 70. Permite que toda vez que uma gravação em borda for transferida para o servidor principal, seja criado um bookmark automático para uma identificação clara na linha do tempo, diferenciando assim as gravações originais das gravações baixadas dos SD-Cards.
 71. Possibilita o log de atividades da gravação de borda (Edge Recording).
 72. Permite a impressão de uma ou de várias imagens recuperadas ou mesmo relatórios e que estes, opcionalmente possuam um código de originalidade impresso, com código de barras, permitindo comparações futuras. Estas imagens, e ou relatórios, são arquivados permitindo consultas e novas impressões através desses códigos. O código de originalidade também é impresso em formato de código de barras para facilitar a leitura através de scanner destinado a esse fim.
 73. Permite a criação de um servidor de mídia com a finalidade de disponibilizar imagens para a internet sem que os acessos sejam feitos no servidor principal. Essas imagens devem ser disponibilizadas via Relay para evitar duplicidade de conexão com as câmeras.
 74. O sistema permite a gravação de metadados com informação de detecção de movimento ou gravação de evento. Este recurso permite a fácil identificação, na linha de tempo, de movimento ou evento gravado através de uma linha especial com cores identificando movimento ou evento. Um período com uma faixa amarela identifica um evento na gravação enquanto um período com uma faixa vermelha (com diferentes intensidades) identifica movimento detectado na câmera.

+

[Handwritten signature]

[Handwritten signature]

[Handwritten signature]





digifort



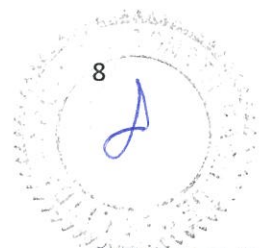
Catálogo de Funcionalidades

75. Gravação automática de metadados de analítico. O sistema permite a gravação de metadados de analítico automático, onde o sistema irá gravar a primeira configuração de analítico que estiver em funcionamento associada a câmera. Isto permite a gravação de metadados de analítico para câmeras móveis com diferentes configurações de analítico em diferentes presets.
76. Gravação de áudio em detecção de movimento. O sistema irá gravar áudio apenas quando movimento for detectado, mantendo a sincronia das trilhas de áudio e vídeo.
77. Controle de download de vídeos em borda. O sistema apenas irá iniciar o download de vídeos que sejam ao menos de 10 minutos anteriores ao relógio do servidor. Por exemplo, se o horário do servidor for 14:00 e um vídeo das 13:30 até 14:00 é requisitado para baixar da câmera o sistema irá apenas iniciar o download as 14:10. Este "atraso" foi adicionado pois algumas câmeras precisam de alguns minutos para "finalizar" as gravações correntes.

Monitoramento ao Vivo:

78. Suporta monitoramento ao vivo de ilimitadas câmeras por cliente de monitoramento em um ou mais monitores e com diversos estilos de tela, oferecendo no mínimo sete formatos padrões de tela. Permite comunicação assíncrona entre COR e clientes.
79. Suporta a criação de novos formatos de tela para monitoramento
80. Permite o funcionamento via Matriz Virtual ou vídeo wall completa, através de uma lista de monitores definidos para este fim, podendo o operador escolher o monitor desejado e enviar sequência ilimitada de imagens, mapas, mosaicos e páginas web, operados por joystick, teclado e mouse, seja ele direcionado ou via drag and drop.
81. Permite o controle de Matriz Virtual através de SDK/API para criação de macros e scripts em outras linguagens.
82. Possibilita que o operador, ao enviar um objeto para a Matriz Virtual ou vídeo wall, escolha a posição do objeto, em um quadrante do mosaico atual em exibição no monitor de destino. As células podem ser configuradas na resolução desejada.
83. Possui sistema de sequenciamento de câmeras, onde o sistema troca automaticamente um grupo de câmeras em tela por um outro grupo de câmeras ou câmera em um tempo específico para cada grupo ou câmera, permitindo também a troca manual no sequenciamento através de botões de avançar e voltar.

[Handwritten signatures and marks in blue ink]



000208